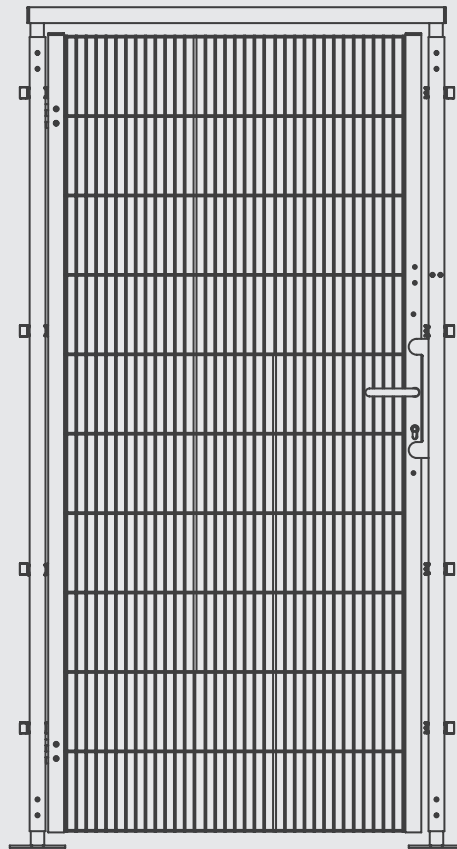




These operating instructions contain important product information and safety instructions. These must be read and observed before starting any activities in connection with the product. These operating instructions must be made available to all persons involved and must be kept in a safe place.



The professional choice



ORIGINAL  
OPERATING INSTRUCTIONS



**BASIC LINE** **ZINC**

## 1 WING REVOLVING DOOR VARIANT BT01-DC

System heights 2000 | 2400 mm

Output: 07/2022



**NOTES**

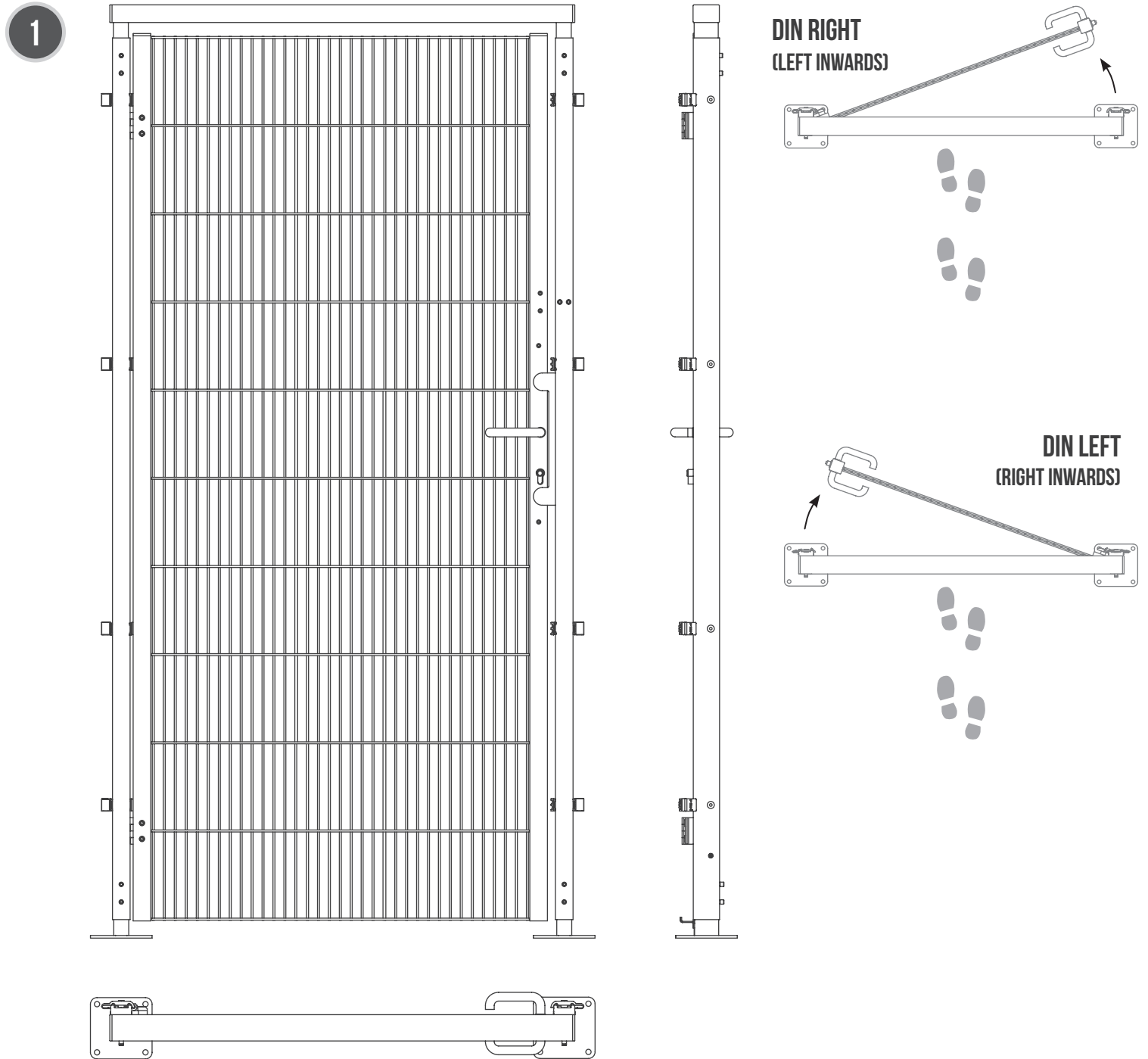


## Table of contents

<b>1.</b>	<b>Product description and technical data</b>	<b>Page 4</b>
<b>2.</b>	<b>Intended use and limits of use</b>	<b>Page 5</b>
<b>3.</b>	<b>Safety instructions and explanation of symbols</b>	<b>Page 5</b>
<b>4.</b>	<b>Assembly and installation</b>	<b>Pages 6 - 21</b>
	<b>4.1. Required tool</b>	<b>Page 6</b>
	<b>4.2. Anchoring to the subsoil</b>	<b>Page 7</b>
	<b>4.3. Assembly 1-leaf hinged door</b>	<b>Pages 8 - 19</b>
	<b>4.4. Mounting on the protective grille</b>	<b>Pages 20 - 21</b>
<b>5.</b>	<b>Maintenance</b>	<b>Page 22</b>
<b>6.</b>	<b>Dismantling and disposal</b>	<b>Page 22</b>
<b>7.</b>	<b>Spare parts and accessories</b>	<b>Page 23</b>
<b>8.</b>	<b>Example installation</b>	<b>Pages 24 - 25</b>

## 1. Product description and technical data

The 1-leaf hinged doors are available as standard in the following versions:



BASIC LINE ZINC BT01	Widths (mm)	Passage width (mm)	Heights: (mm)	Foot plate (mm)	Weights (kg)
1 1-leaf hinged door DIN left / right	944	660	2120	140x140	38,79
	944	660	2520	140x140	47,17
	1146	860	2120	140x140	41,93
	1146	860	2520	140x140	54,75

## 2. Intended use and limits of use



The installer/operator must check whether the protective fence must be equipped with a protective earth according to the currently applicable standards and regulations.  
The protective earthing may only be carried out by a qualified electrician.

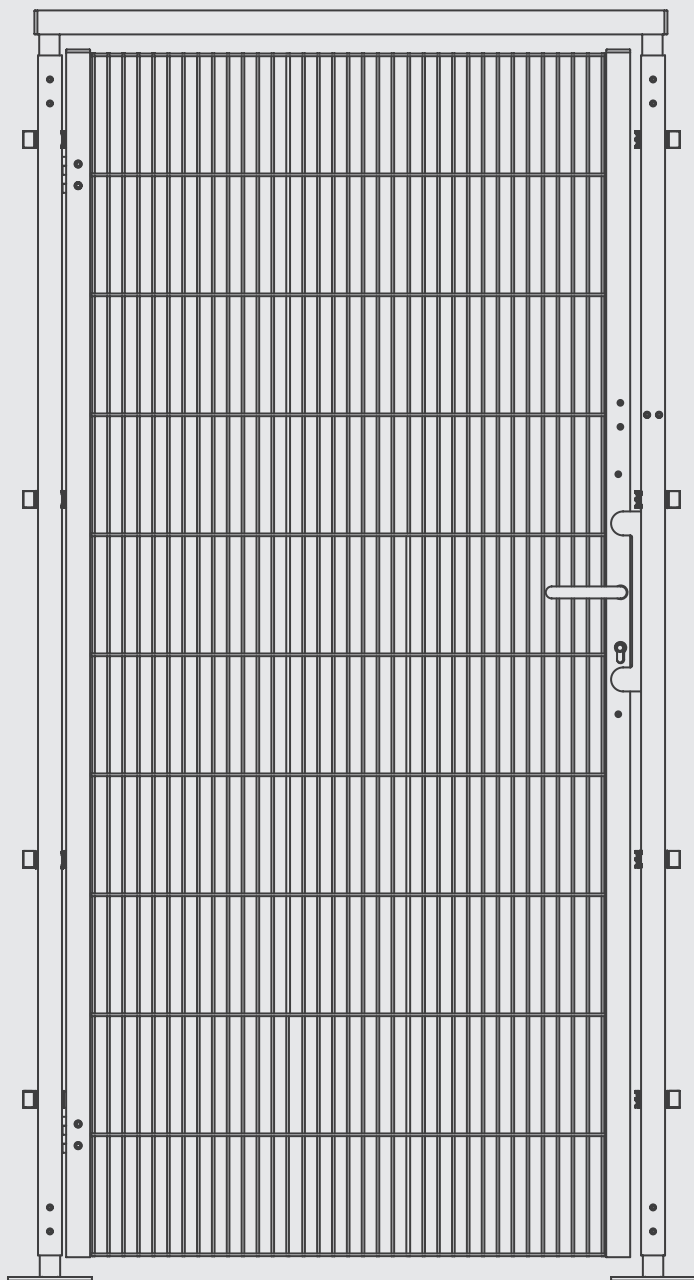
## 3. Safety instructions and explanation of symbols

Safety instructions can be found in the relevant sections of these operating instructions and must be observed.

Symbols	Explanation
	<b>Safety instructions</b> (Failure to comply with this instruction may result in injury or death)
	<b>Functional indication</b> (In case of non-compliance, malfunction or material damage)
	Danger zone
	No danger zone
	enlarged view
	Mounting height
	necessary tools (see page 10)
	Use hearing protection
	Use eye protection

#### 4.1. Tools needed

##### Product



1-leaf hinged door, assembly (pages 10-23)



##### Tools

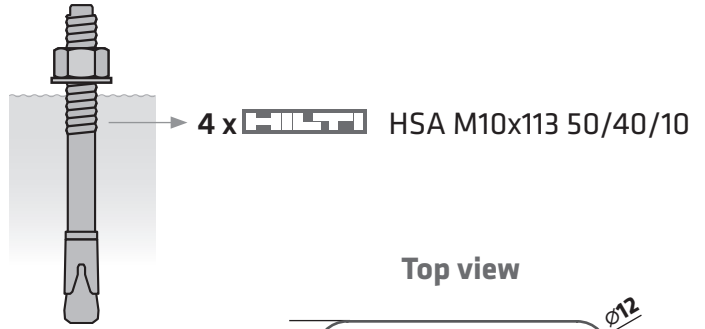
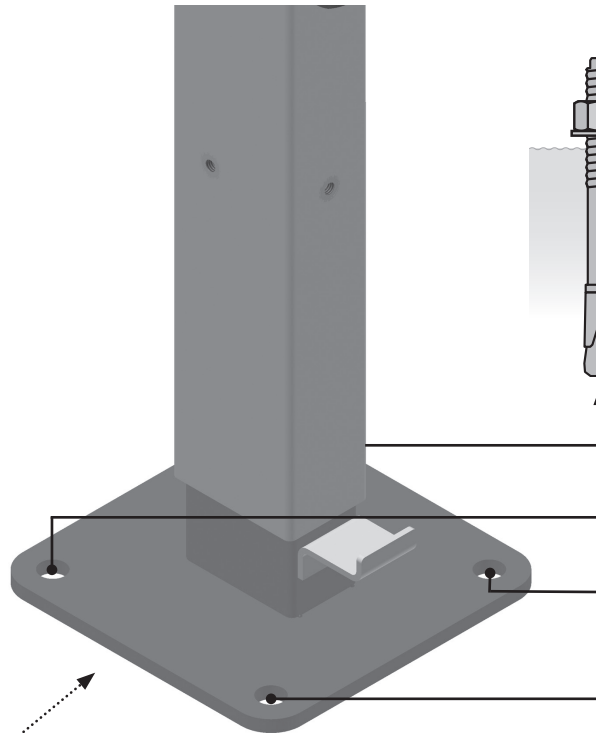
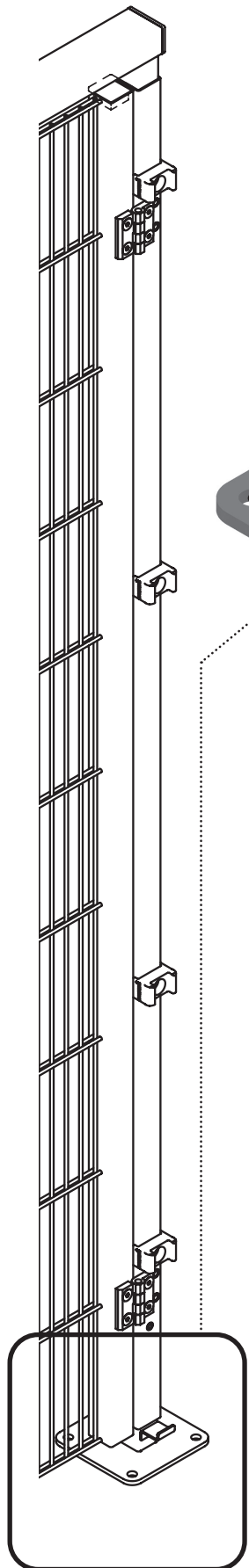
- Drill with concrete drill bit 10 mm**
- Hammer**
- Socket spanner 13 mm and 17 mm**
- Allen key 3 mm, 4 mm, 5 mm and 8 mm**

## 4.2. Anchoring to the subsoil

Substrate material: Concrete (non-cracked) C20/25 to C50/60

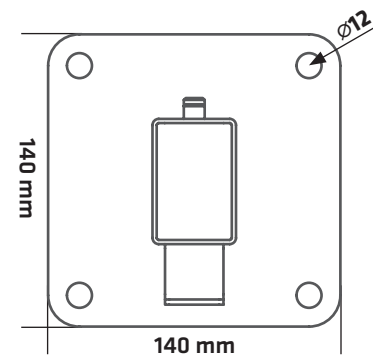


see page 6



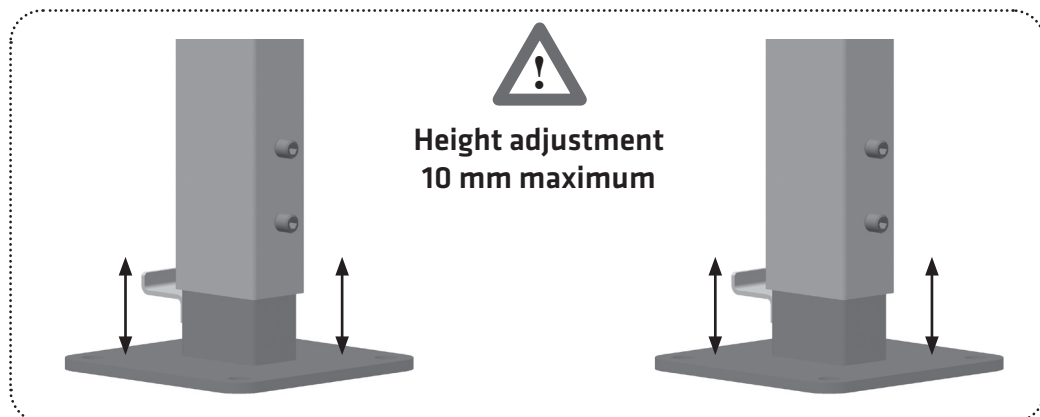
4 x  HSA M10x113 50/40/10

Top view



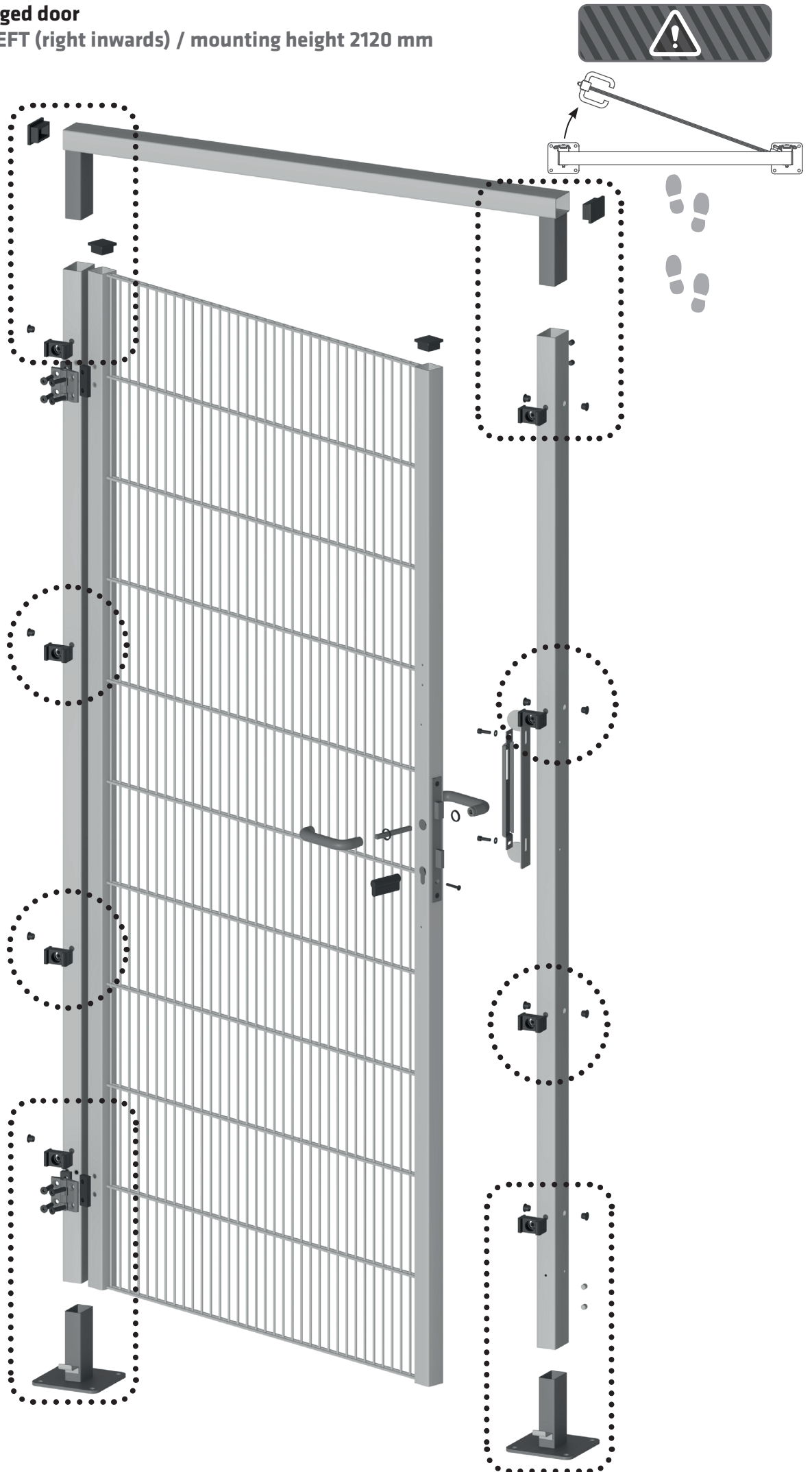
### Technical data :

Ankle size	M10
Ankle length	113 mm
Authorizations	ETA-11/0374
Base material	Concrete (uncracked) C20/25 - C50/60
Environmental influences	interior, sec
Distance from the edge	50 mm
Principle of action	Force-controlled expansion anchor
Standard installation depth	50 mm
Nominal drill diameter	10 mm
Depth of borehole	80 mm
required torque	25 Nm



### 4.3. Assembly 1-leaf hinged door

Mounting version DIN LEFT (right inwards) / mounting height 2120 mm



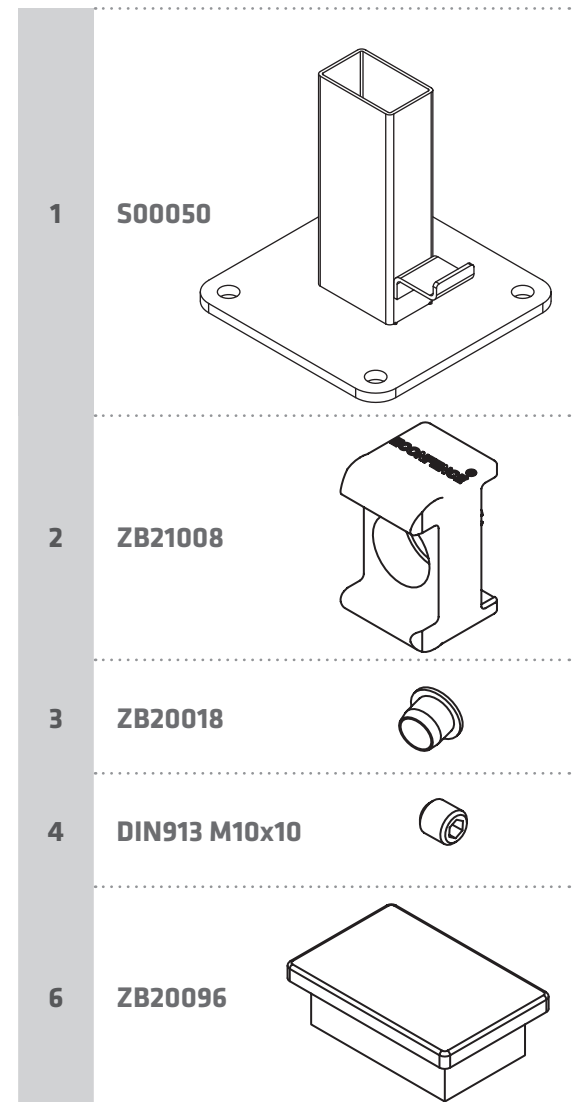
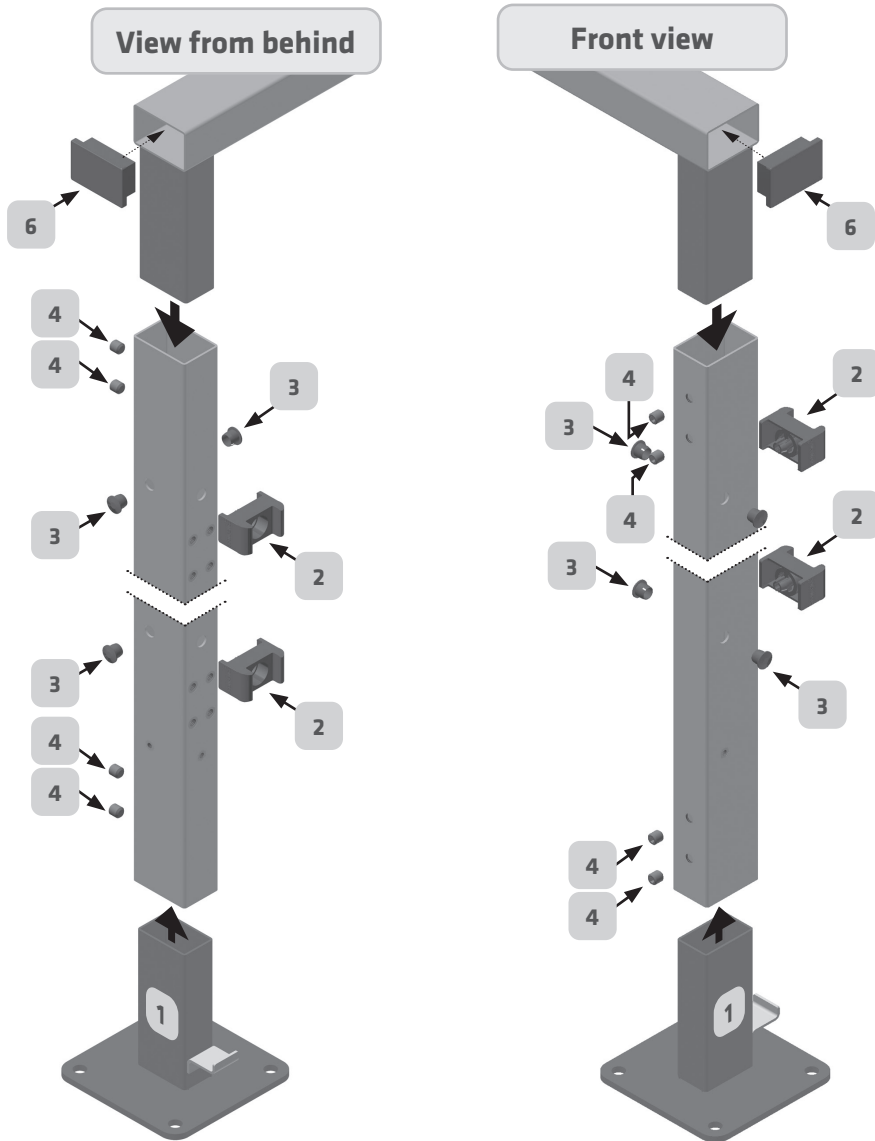


### 4.3. Assembly 1-leaf hinged door

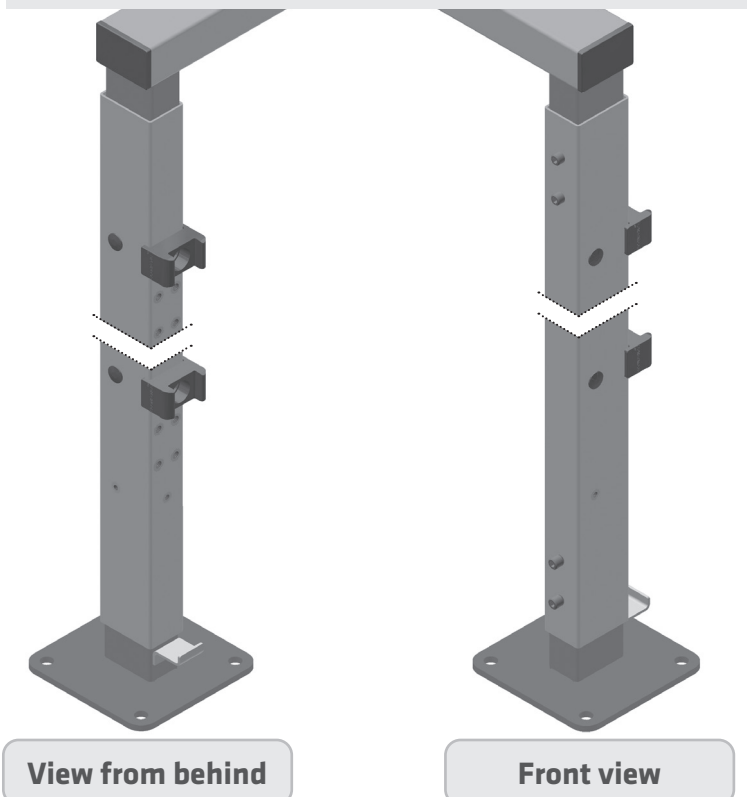
Mounting version DIN LEFT (right inwards) / mounting height 2120 mm



see page 6

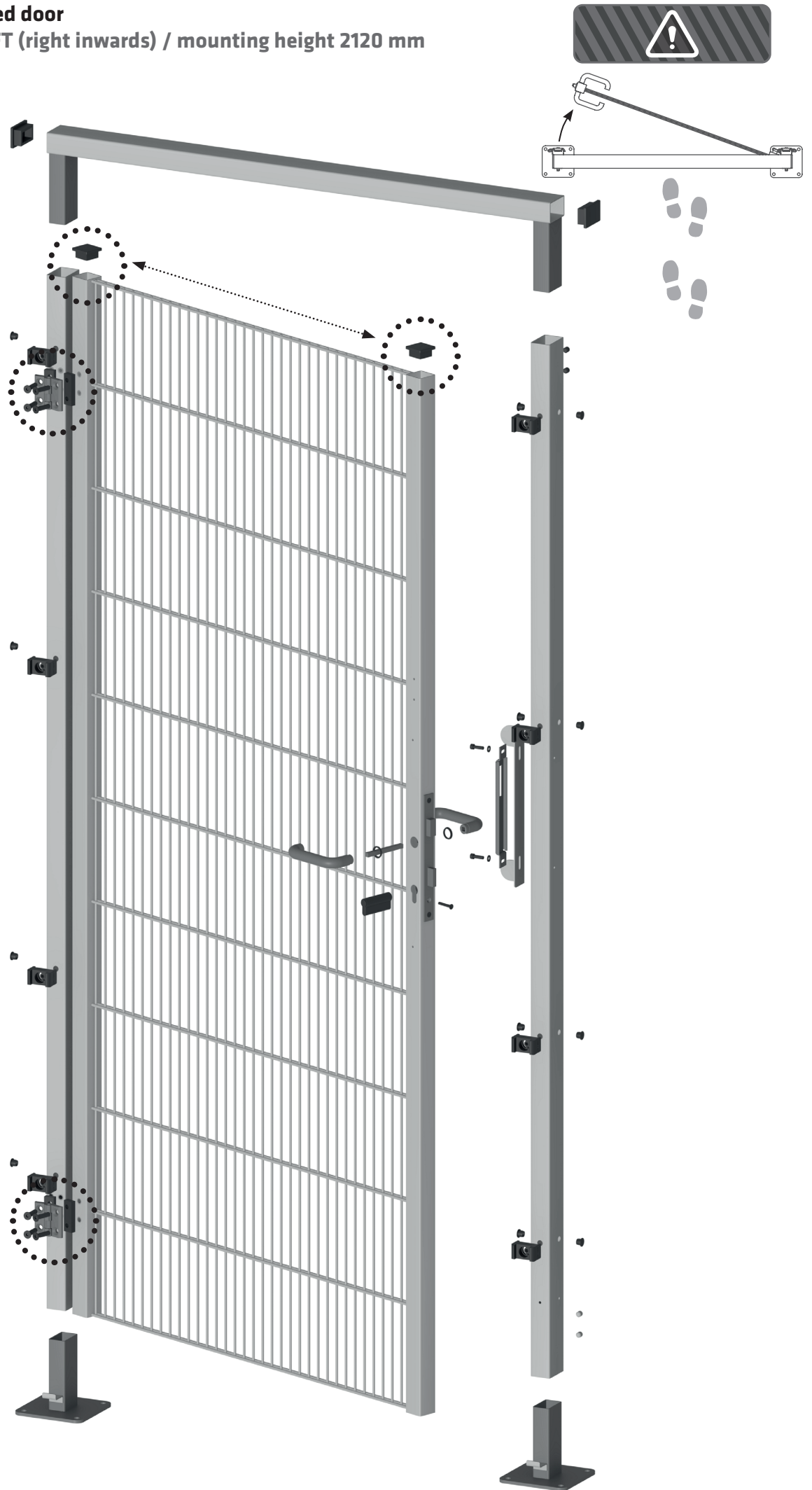


### View of finished assembly



### 4.3. Assembly 1-leaf hinged door

Mounting version DIN LEFT (right inwards) / mounting height 2120 mm

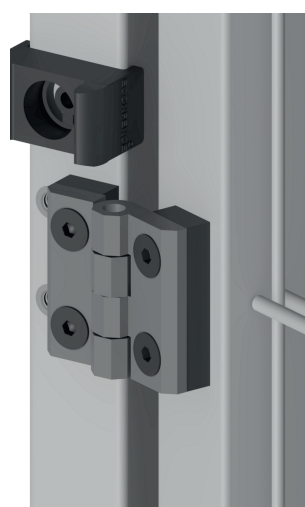
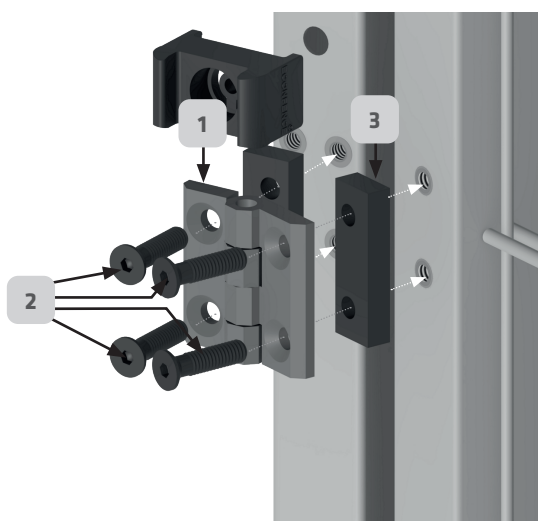


### 4.3. Assembly 1-leaf hinged door

Mounting version DIN LEFT (right inwards) / mounting height 2120 mm

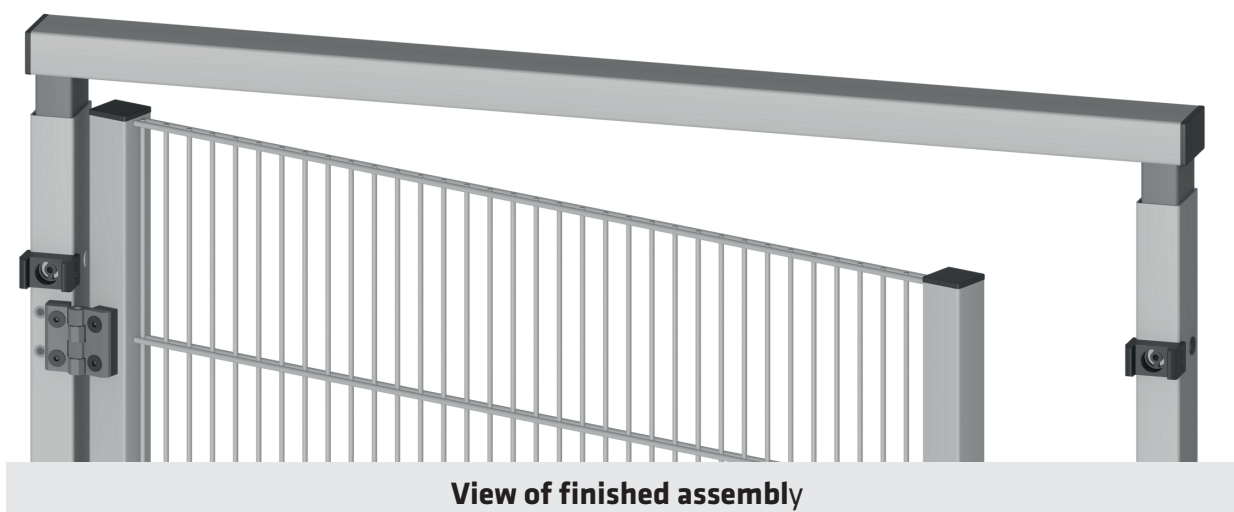
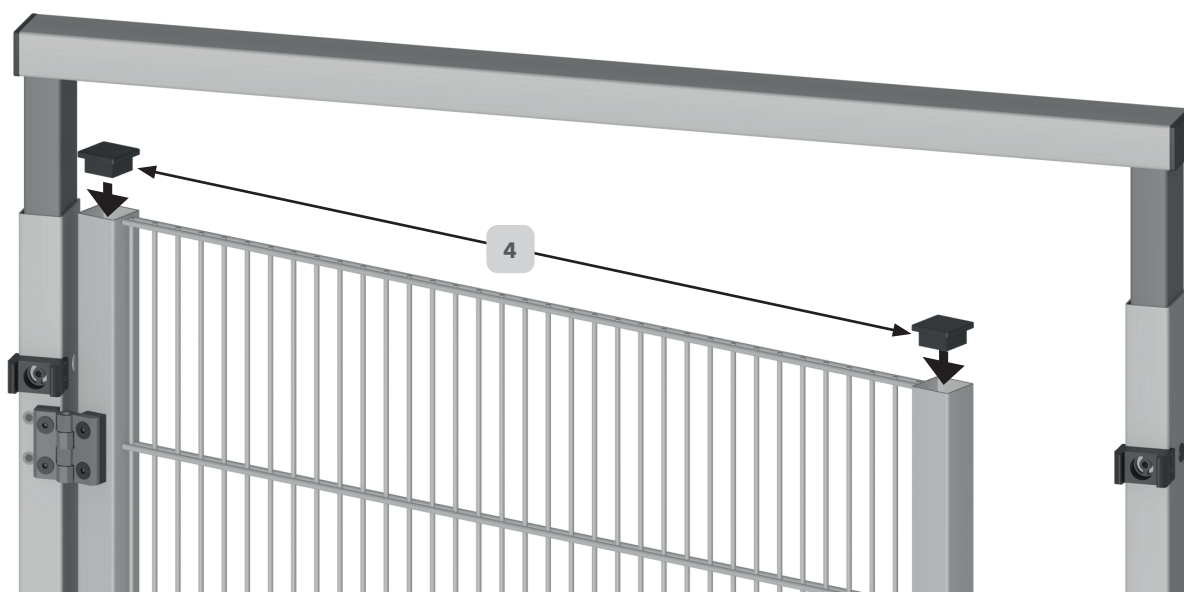


see page 6



**View  
Finished assembly**

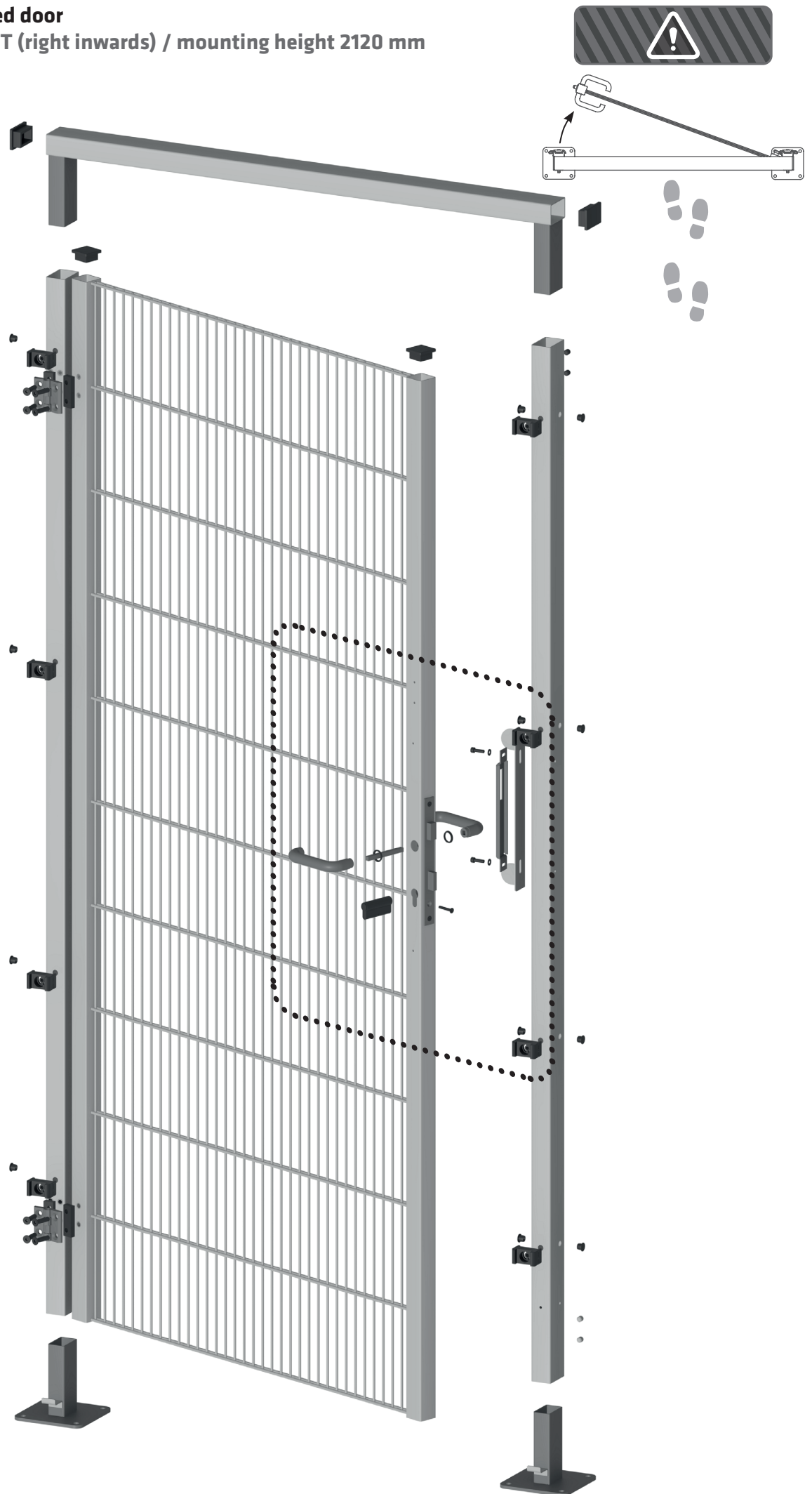
1	ZB10012	
2	DIN 7991 M8-25	
3	F00003	
4	ZB20095	



**View of finished assembly**

### 4.3. Assembly 1-leaf hinged door

Mounting version DIN LEFT (right inwards) / mounting height 2120 mm

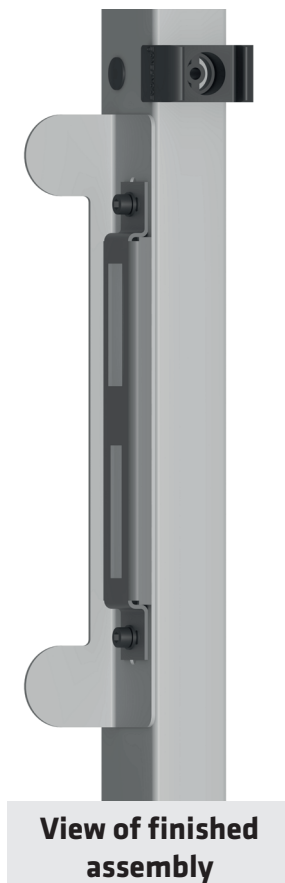
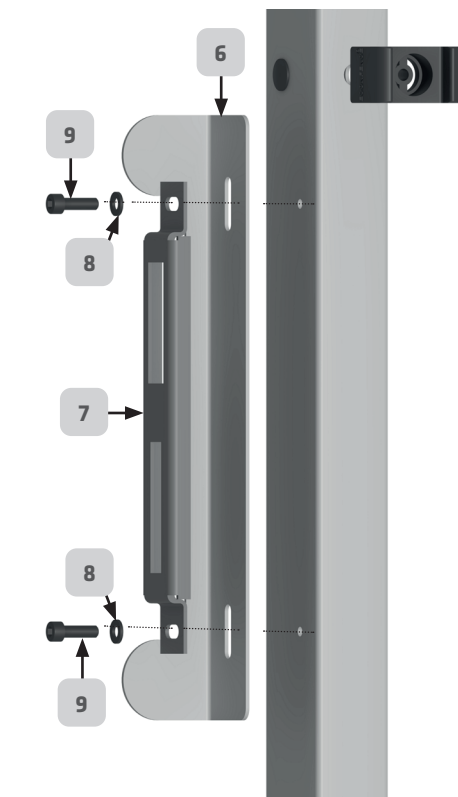


### 4.3. Assembly 1-leaf hinged door

Mounting version DIN LEFT (right inwards) / mounting height 2120 mm



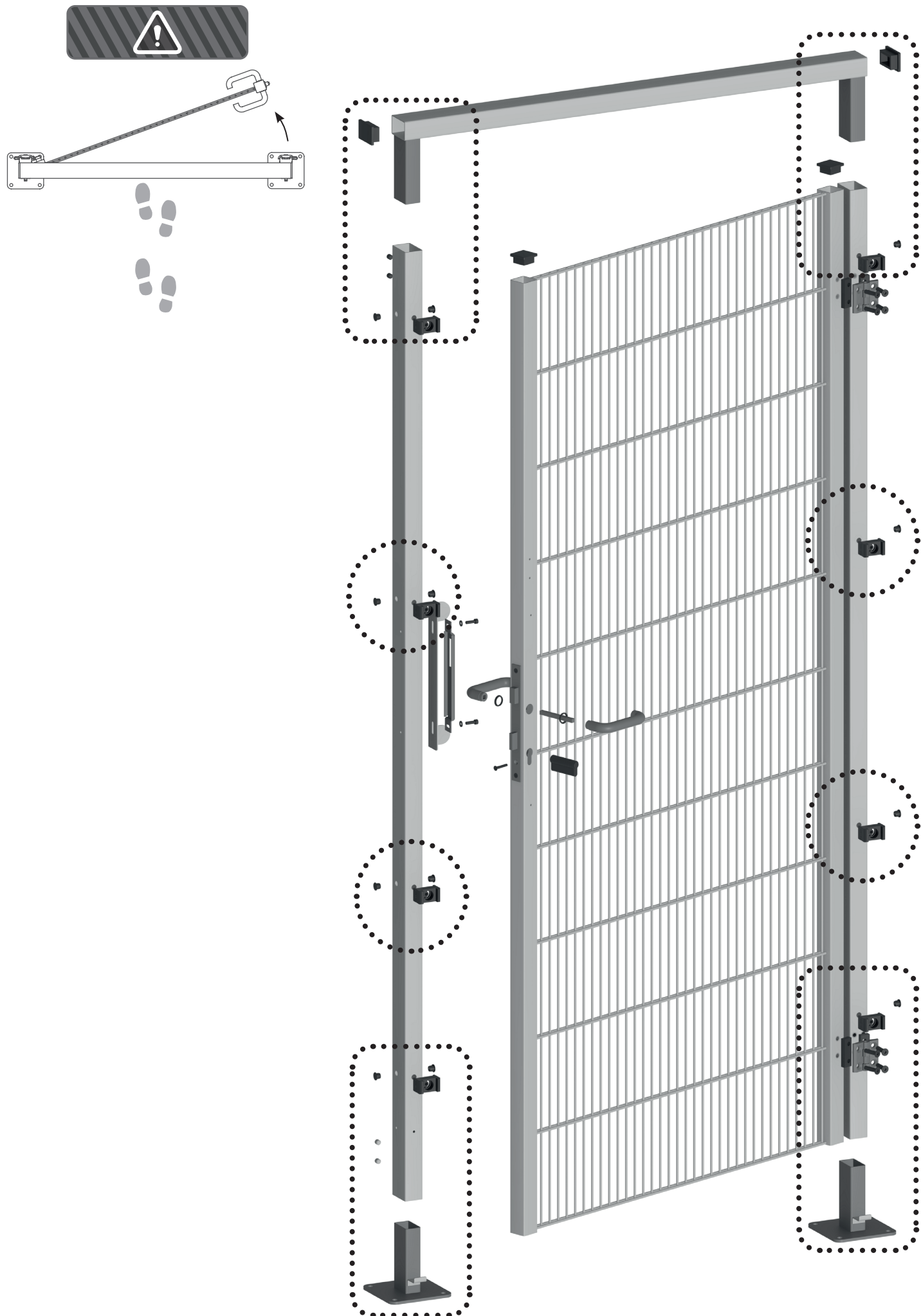
see page 6



1	ZB20043	
2	ZB10035:2	
3	ZB20042	
4	ZB20040	
5	DIN 7991-8,8-M5x35	
6	B00030	
7	B00001	
8	DIN 125-8,8-A6,4	
9	DIN 912 M6x20	
10	ZB20044	

### 4.3. Assembly 1-leaf hinged door

Mounting version DIN RIGHT (left inwards) / mounting height 2120 mm

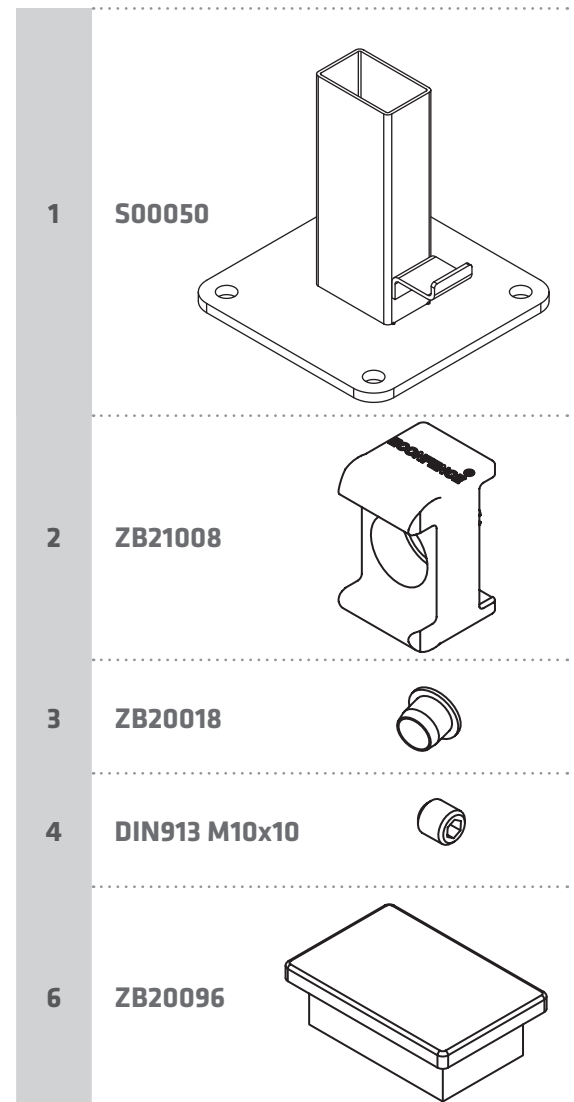
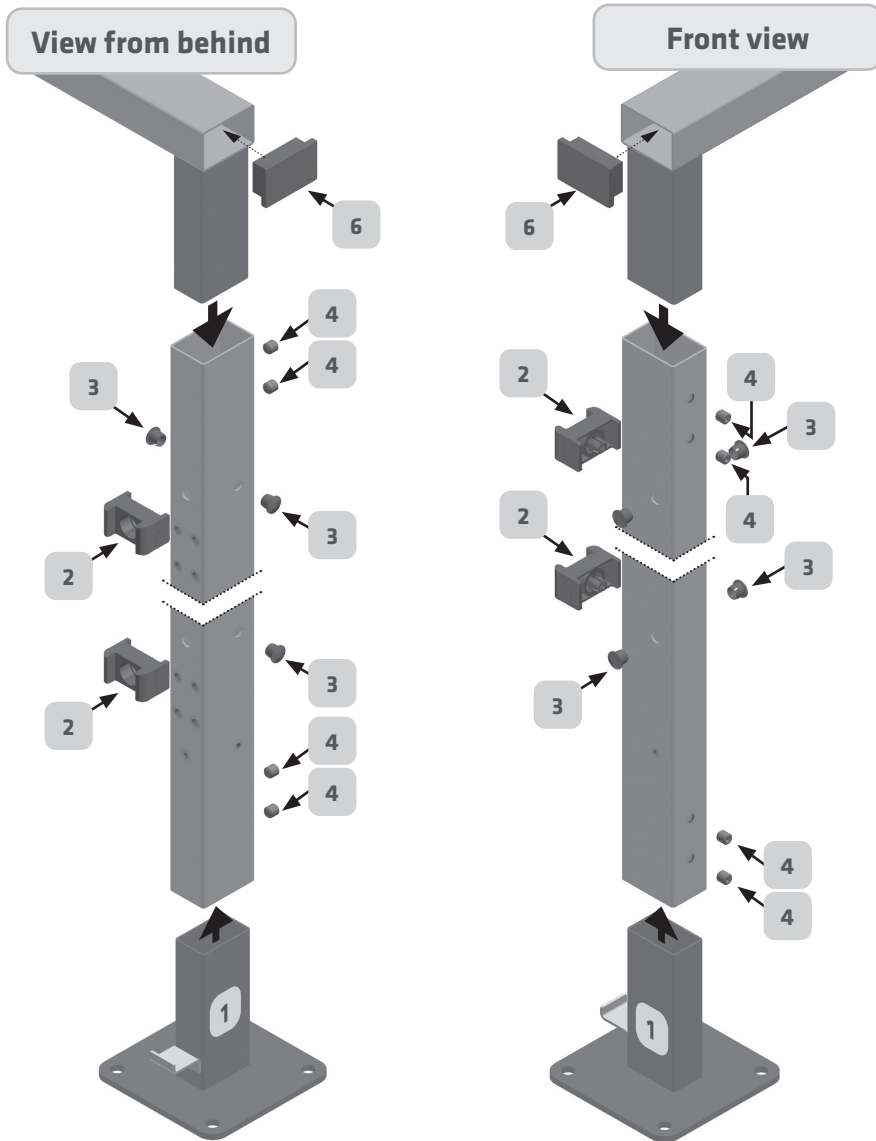


### 4.3. Assembly 1-leaf hinged door

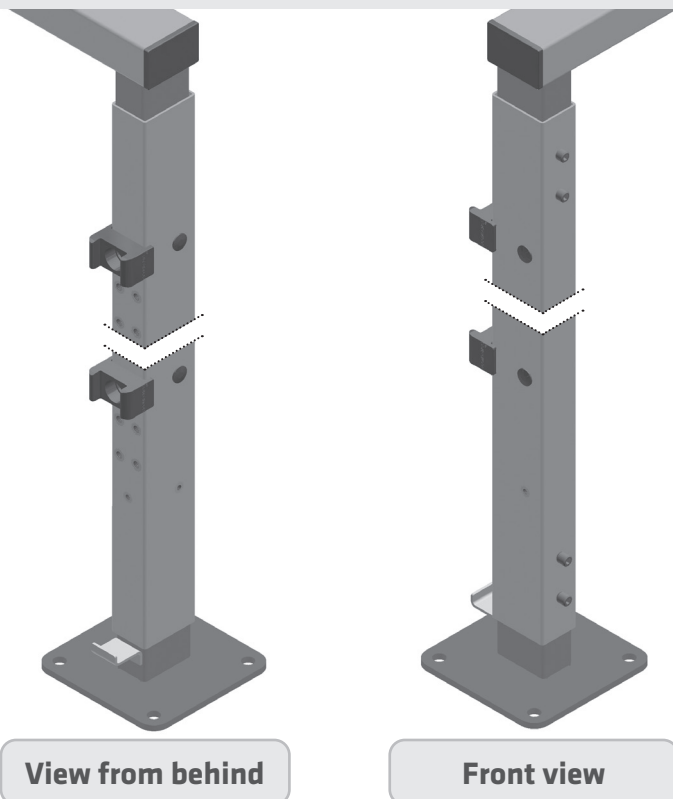
Mounting version DIN RIGHT (left inwards) / mounting height 2120 mm



see page 6

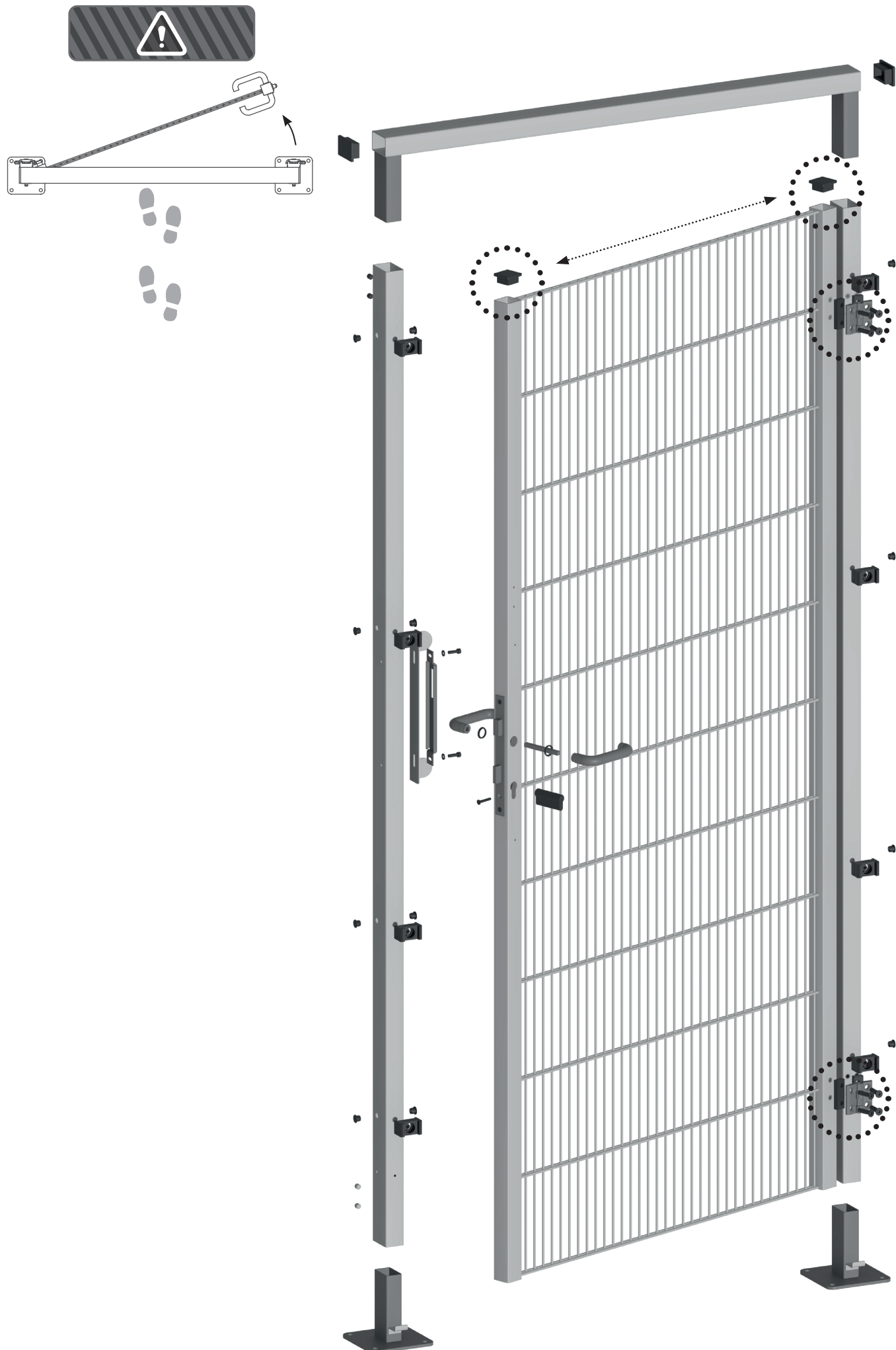


### View of finished assembly



### 4.3. Assembly 1-leaf hinged door

Mounting version DIN RIGHT (left inwards) / mounting height 2120 mm



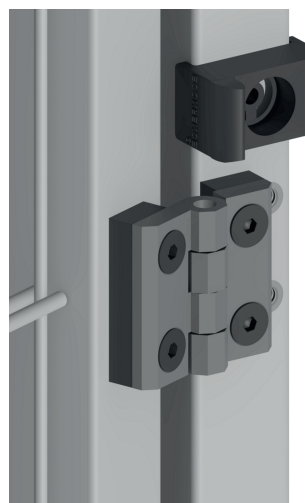
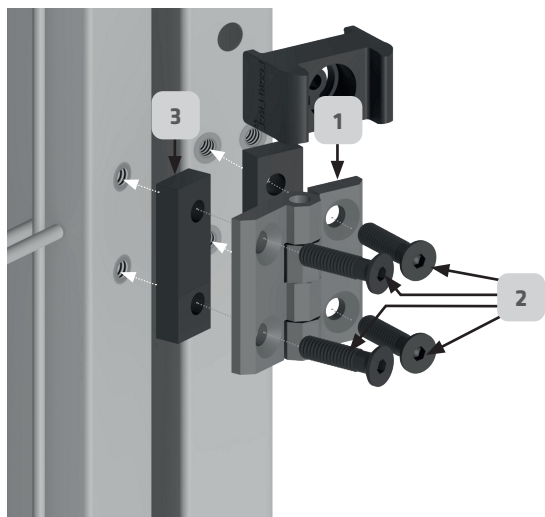


### 4.3. Assembly 1-leaf hinged door

Mounting version DIN RIGHT (left inwards) / mounting height 2120 mm

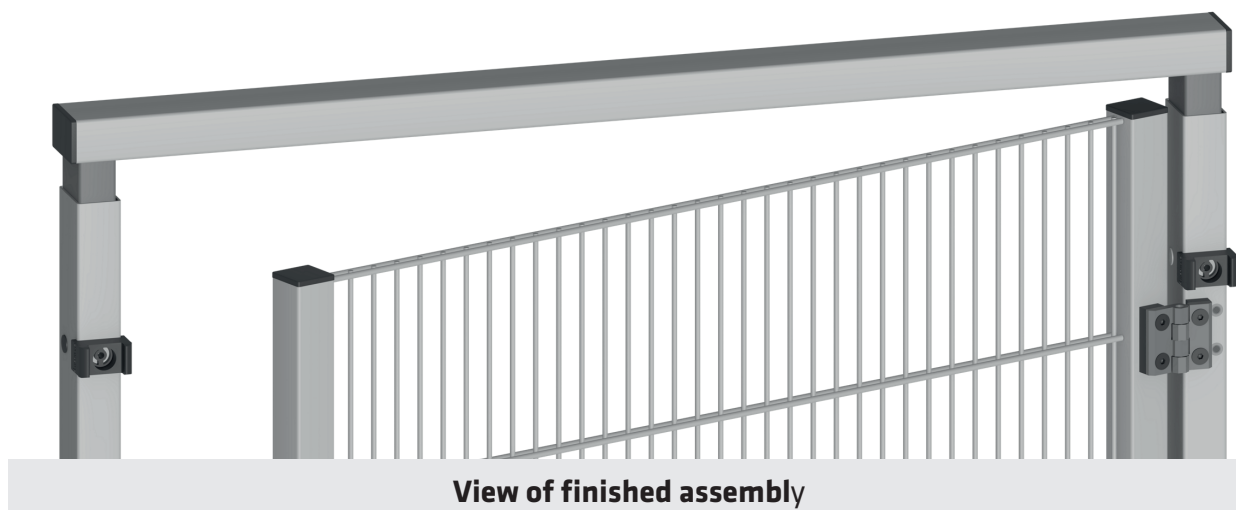
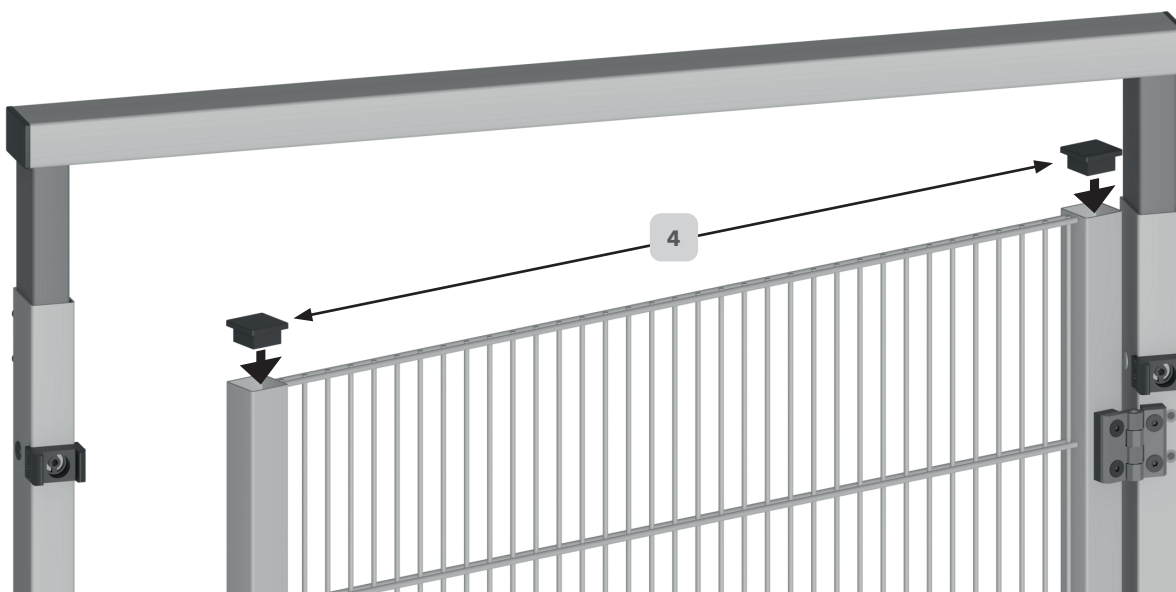


see page 6



**View  
Finished assembly**

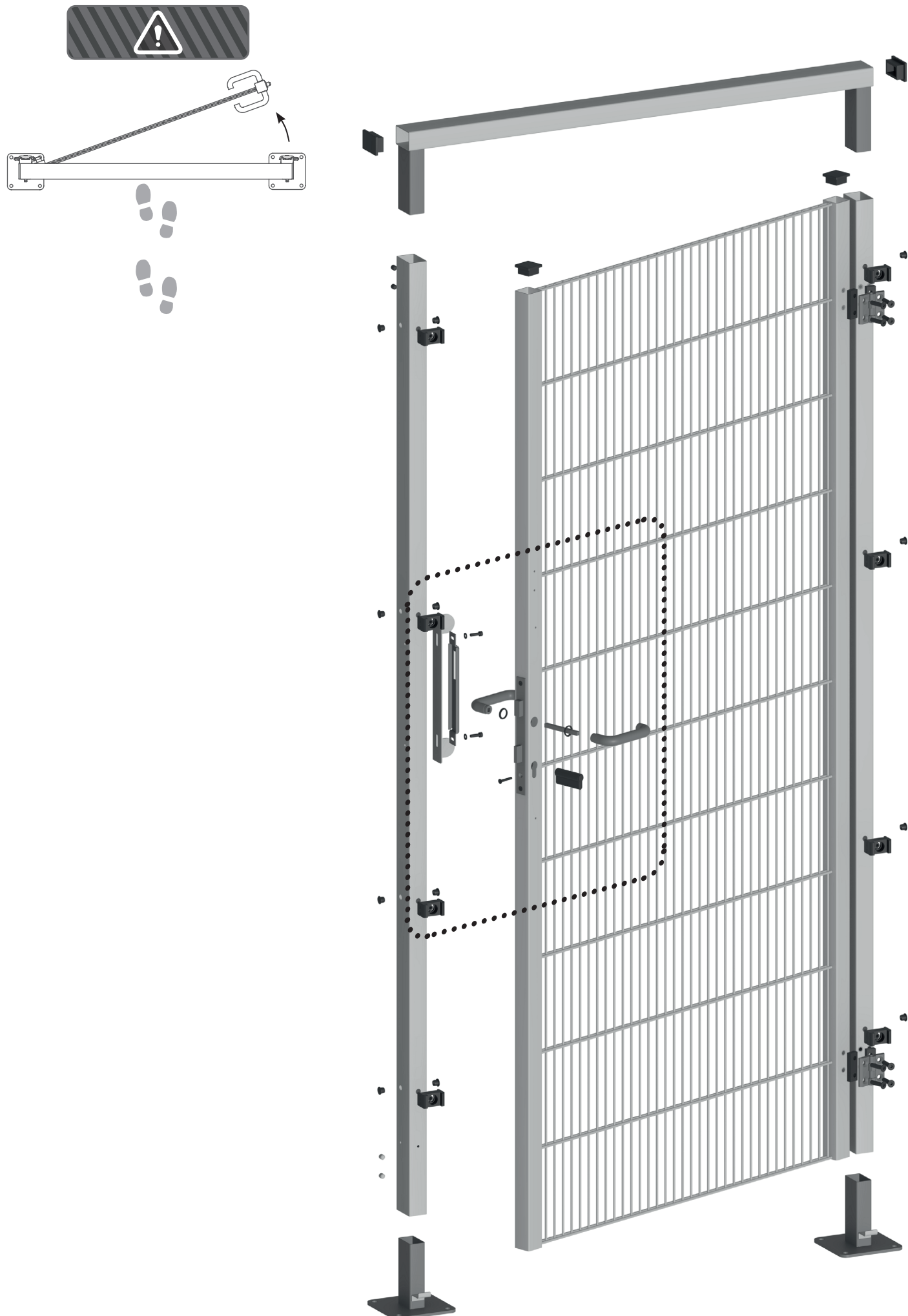
1	ZB10012	
2	DIN 7991 M8-25	
3	F00003	
4	ZB20095	



**View of finished assembly**

### 4.3. Assembly 1-leaf hinged door

Mounting version DIN RIGHT (left inwards) / mounting height 2120 mm



### 4.3. Assembly 1-leaf hinged door

Mounting version DIN RIGHT (left inwards) / mounting height 2120 mm



see page 6

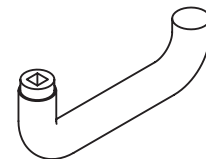


View  
Finished assembly

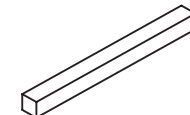
1 ZB20043



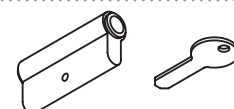
2 ZB10035:2



3



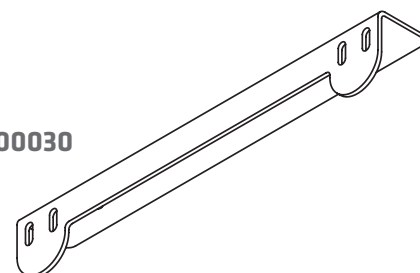
4 ZB20040



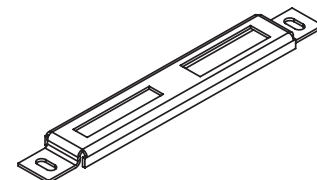
5 DIN 7991-8,8-M5x35



6 B00030



7 B00001



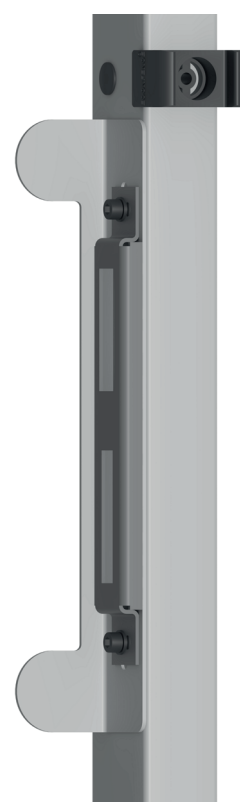
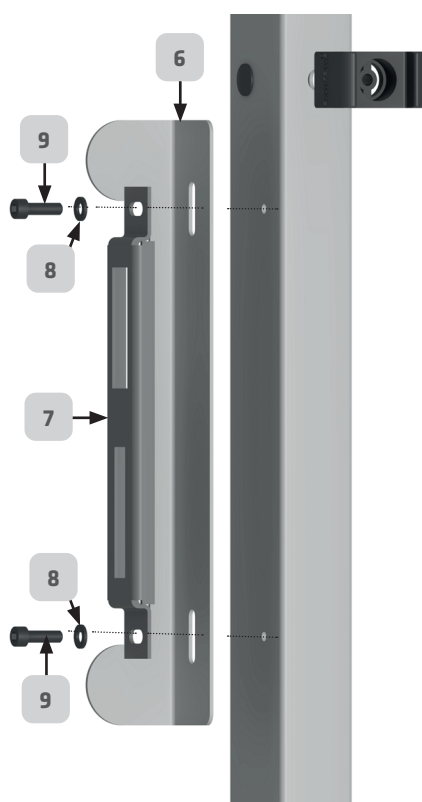
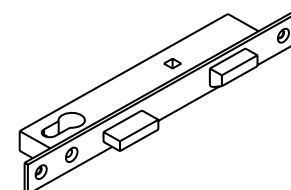
8 DIN 125-8,8-A6,4



9 DIN 912 M6x20



10 ZB20044




View of finished  
assembly

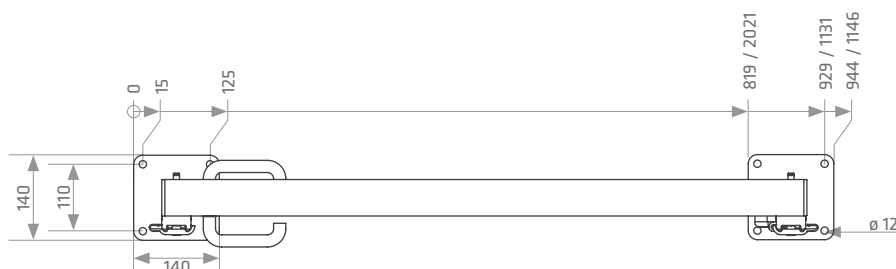
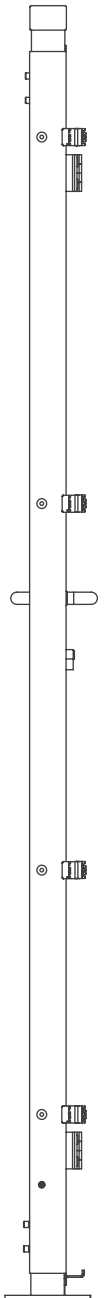
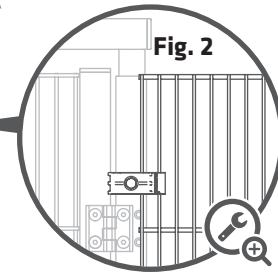
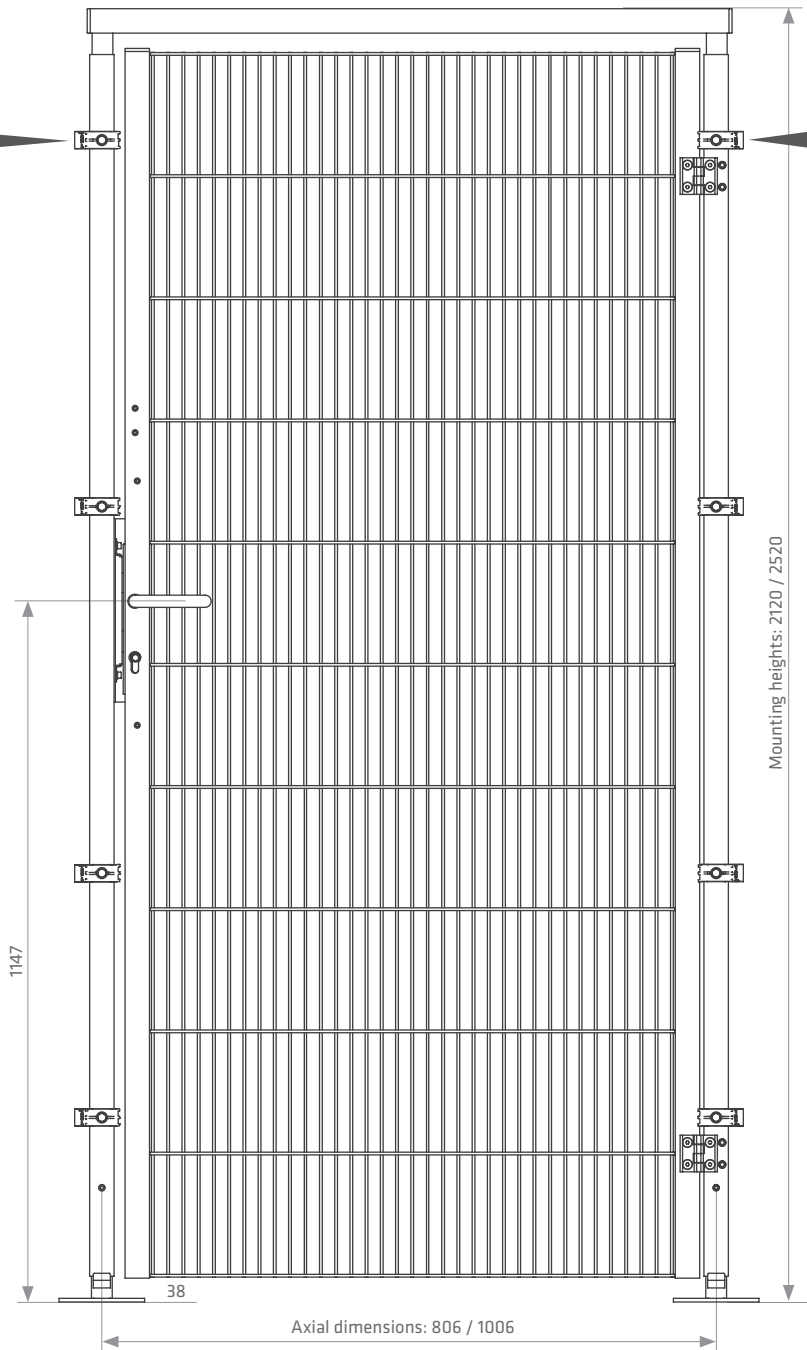
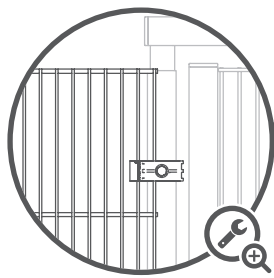
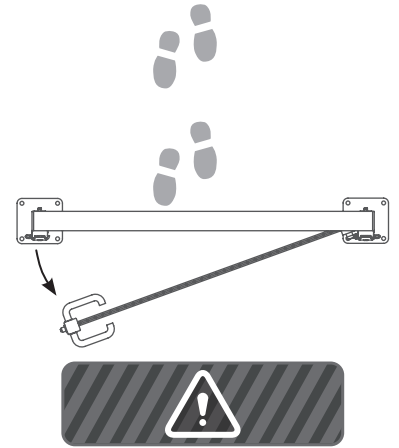
### 4.3. Mounting on the protective grille

Mounting version DIN RIGHT  
(left inwards)

 2120 / 2520 mm

 see page 6

  
**When mounting the grille on the right**  
**Make sure that there is only one vertical grille bar in**  
**the clamping element.**  
 (see Fig. 1 and Fig. 2)




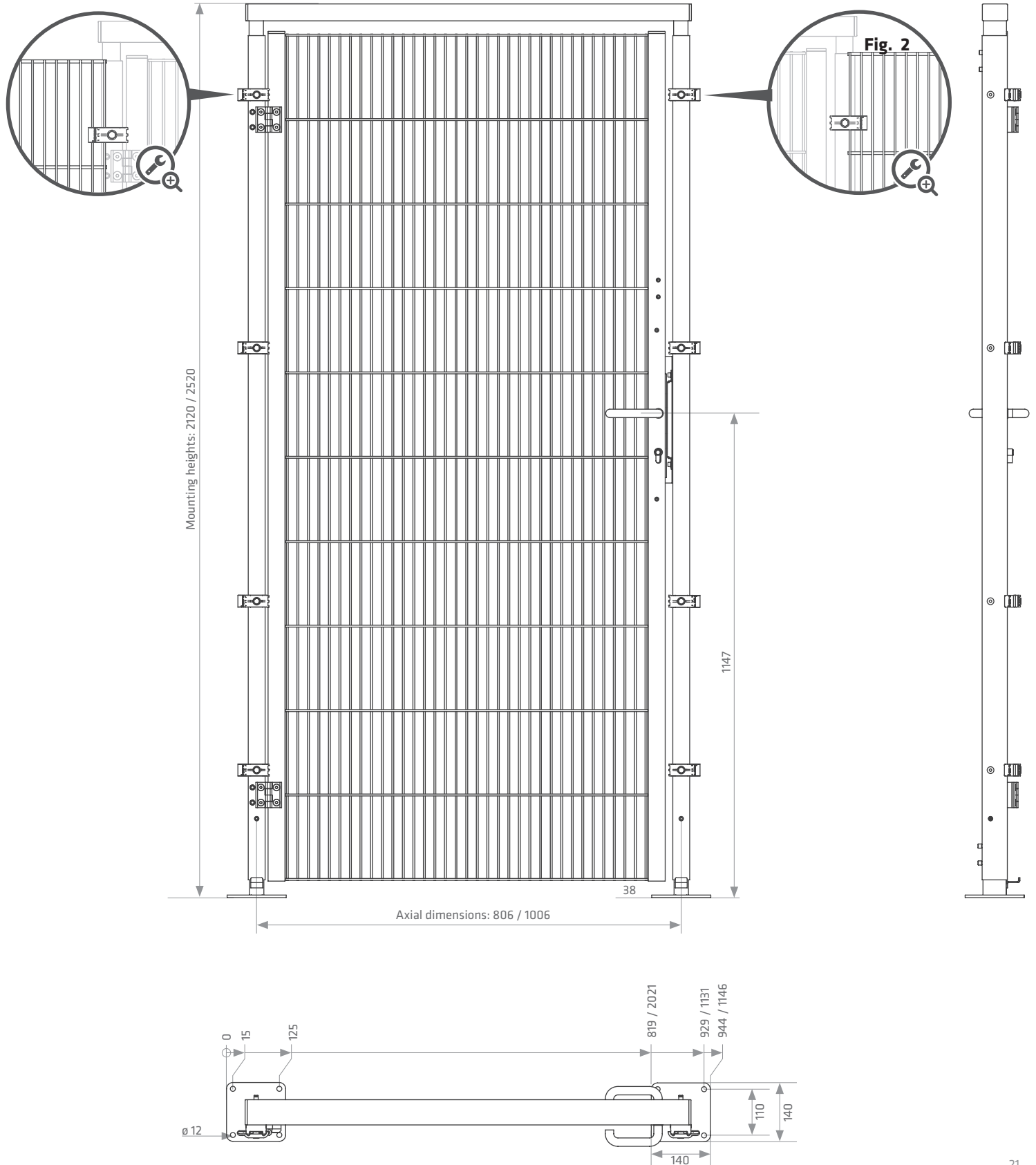
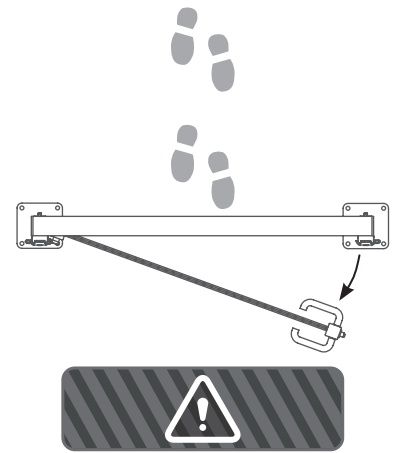
#### 4.4. Mounting on the protective grille

Mounting version DIN LEFT  
(right inwards)

 2120 / 2520 mm

 see page 6

  
**When mounting the grille on the left  
 make sure that only one vertical grille bar is in the  
 clamping element**  
 (see Fig. 1 and Fig. 2).



## 6. Maintenance

The ECONFENCE® safety fence system is basically maintenance-free.



To ensure the protective function, annual inspections must be carried out by suitable specialist personnel of the operator. Damaged parts must be replaced.

## 7. Dismantling and disposal

Two persons are required for disassembly and this may only be carried out by qualified personnel.

Before dismantling, switch off the machine or system or bring it into a safe condition.



If applicable, de-energise the electrical equipment attached to the safety fence system or bring it into a safe condition.

Dispose of in accordance with local regulations.

## 7. Spare parts and accessories

All item numbers given in these operating instructions are the same, unless otherwise stated, are also the order numbers.

Order no.	Designation	Fig.
ZB20096	Post cap with collar, black plastic, for post profile 60x40mm	1
ZB21008	Lattice holder row post (drive-in version), black plastic, for post profile 60x40mm	2
ZB20095	Post cap with collar, black plastic, for post profile 40x40mm	3
ZB10076	Impact mandrel for grid holder (wood)	4
S00050	Post insertion foot, 140x140, VZ S01	5
ZB20025	Hilti segment anchor made of steel, galvanised, HSA M10x113 50/40/10 for non-cracked concrete	
ZB40005	Grille inlets and outlets made to measure or according to customer layout	

Subject to technical changes.



If you have any questions, please do not hesitate to contact us at +49 5223.791995-0 available

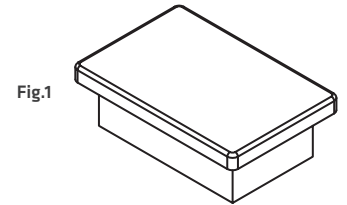


Fig.1

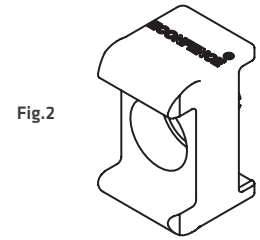


Fig.2

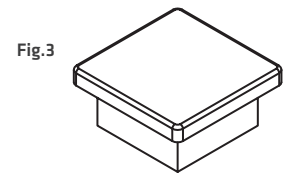


Fig.3

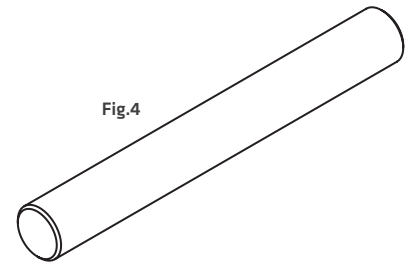


Fig.4

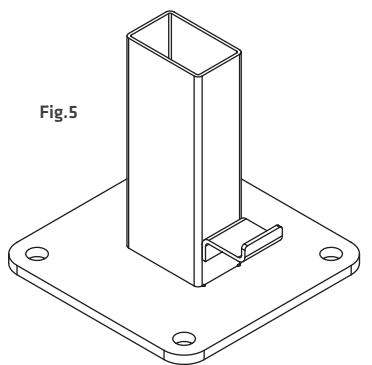
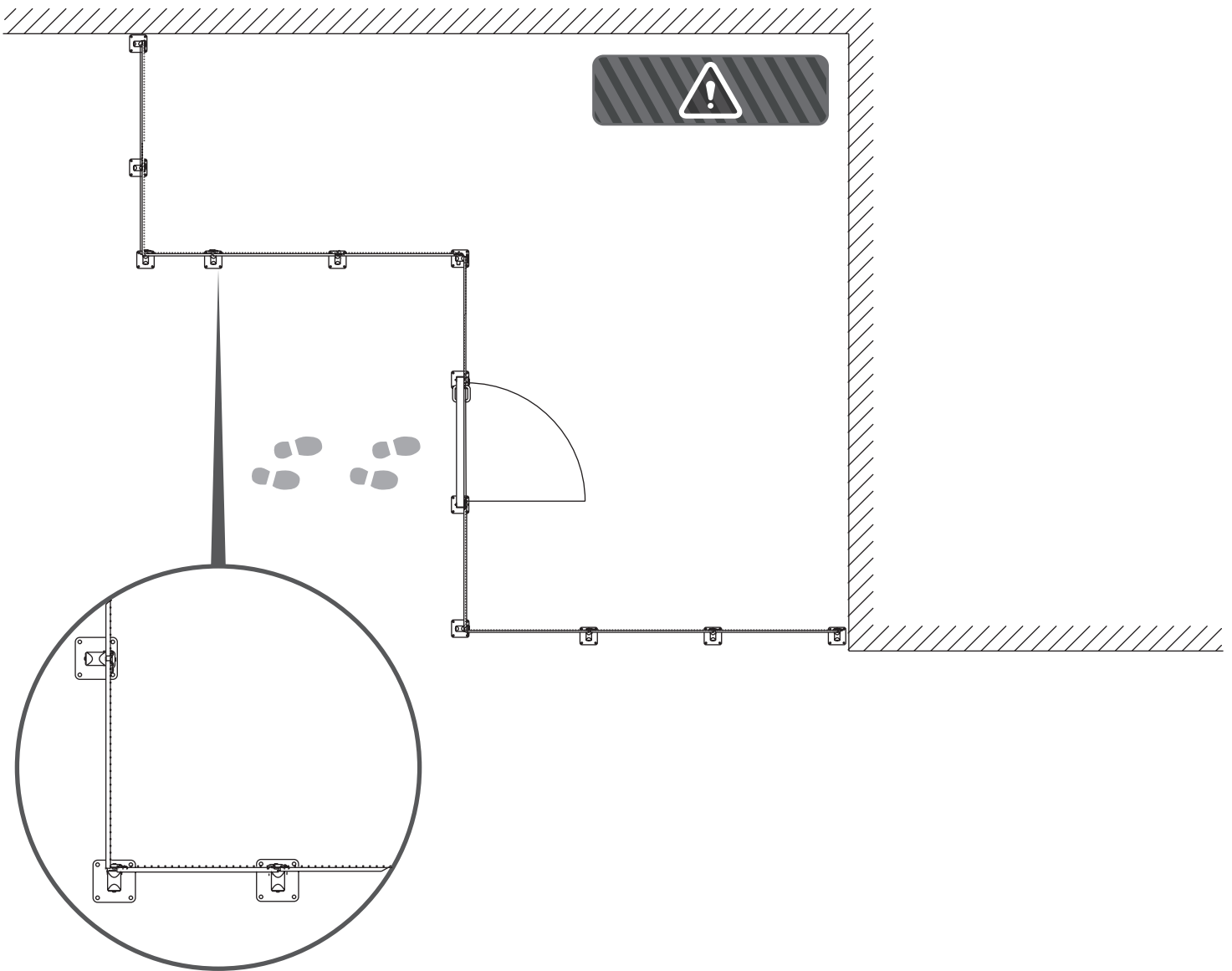
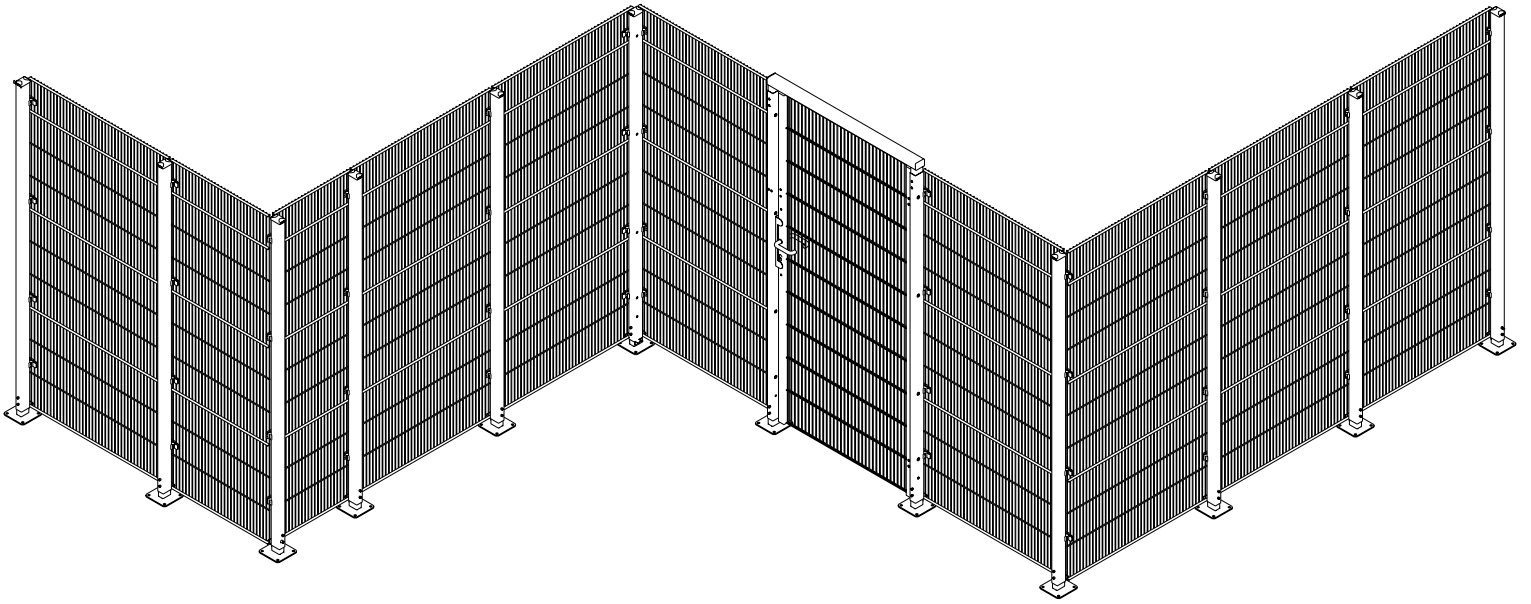


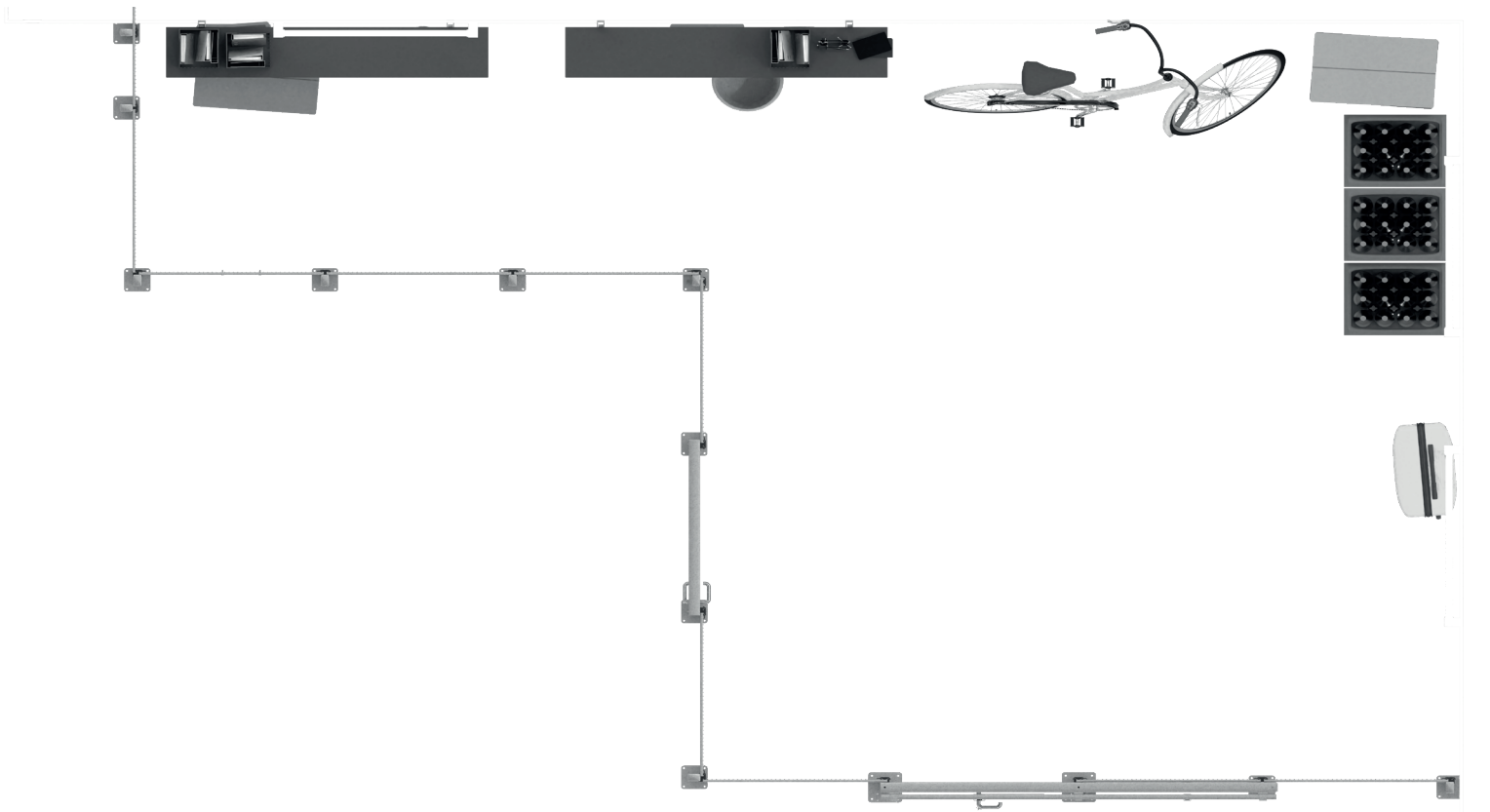
Fig.5

## 8. Example installation





## 8. Example installation



**NOTES**



**NOTES**





The professional choice

**TIEMANN**

**Schutz-Systeme GmbH**

**Lübbecker Str. 16**

**32257 Bünde**

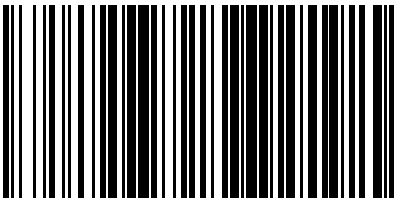
**Germany**

**Fon +49 (0)5223 791995-0**

**Fax +49 (0)5223 791995-90**

**[www.econfence.com](http://www.econfence.com)**

**[info@econfence.com](mailto:info@econfence.com)**



BA-100044-1